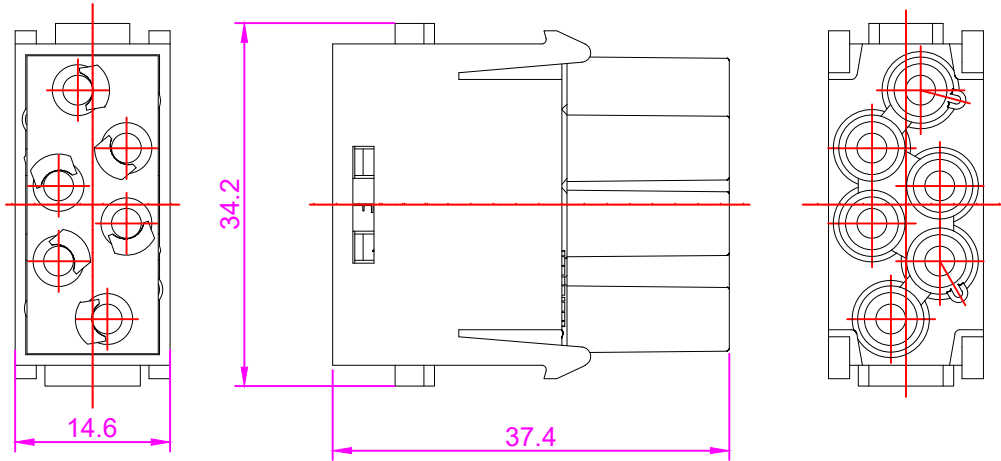


REVISION DATA				
SYM	ECN	DESCRIPTION	DATE	APPROVED

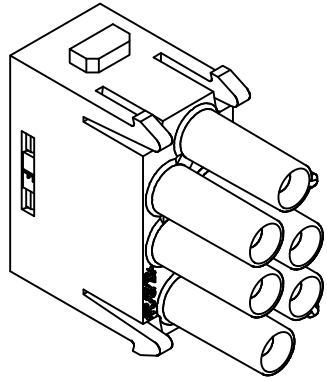


技术参数:
 插芯:
 插针数: 6
 额定电流: 16A
 工作电压: 830V
 额定脉冲电压: 8KV
 污染等级: 3
 材料: Polycarbonate

Specifications:
 Inserts:
 Number of contacts: 6
 Rated current: 16A
 Rated voltage: 830V
 Rated impulse voltage: 8KV
 Pollution degree: 3
 Material: Polycarbonate

插针:
 接线方式: 冷压连接
 材料: 铜合金
 表面处理: 镀银/镀金
 接触电阻: $\leq 1m\Omega$
 线径范围: 0.14~4mm² (AWG26-12)

Contacts:
 Terminal: screw terminal
 Material: Brass
 Surfac: hard-silver plated/Plod plated
 Contact resistance: $\leq 1m\Omega$
 Crimp terminal
 Wire gauge--mm²: 0.14~4mm²
 Wire gauge--AWG: 26-12



Tolerance		SIGNATURE	DATE	Units	mm
0~ ≤ 20	± 0.15	DRAW		Size	A4
20~ ≤ 50	± 0.25	DESIGN		Scale	
50~ ≤ 80	± 0.35	CHECK		Sheet	
80~ ≤ 120	± 0.50	APPROVE		Proj.	


宁波欧科瑞连接器有限公司
 NINGBO OUKERUI CONNECTOR CO.,LTD.

PART NAME: HZW-HVME-006-FC			
Drawing NO.		REV	
Material			A