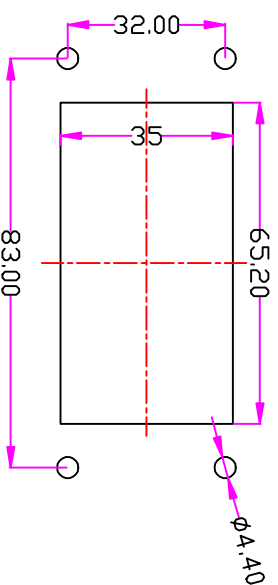
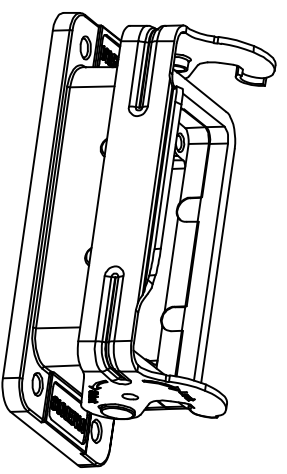
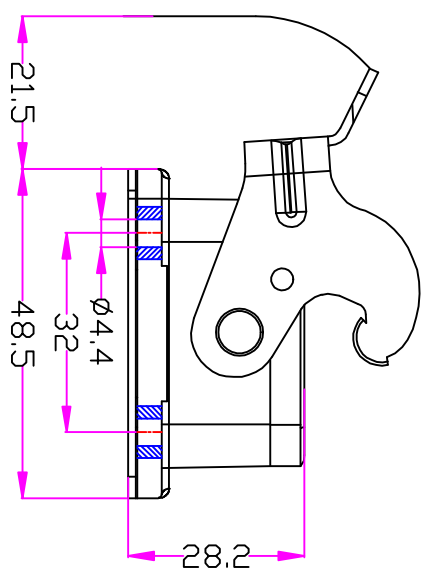
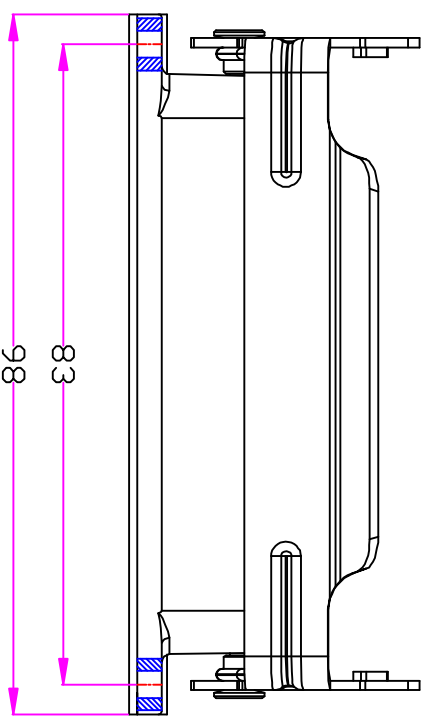


REVISION DATA			7	8
SYM	ECN	DESCRIPTION	DATE	APPROVED



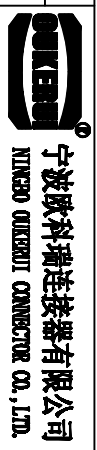
## 面板开孔图

Panel cut

**技术参数:**  
 材料: 压铸铝  
 表面处理: 粉末喷涂  
 颜色: RAL7037灰色  
 温度范围: -40℃~+125℃  
 防护等级: IP65 (铁锁状态)  
 锁紧元件  
 锁扣方式: 单扣  
 材料: 不锈钢  
 密封元件: NBR  
 出线方向: 底部出线

**Specifications:**  
 Material: aluminum die-cast  
 Surface: powder-coated  
 Color: Grey (RAL 7037)  
 Limiting temperature: -40℃~+125℃  
 Degree of protection: IP65  
 Locking element:  
 Locking type: single locking latch  
 material: stainless steel  
 Hoods/Housings sealing: NBR  
 Cable entry: bottom entry

Tolerance	DRAW	SIGNATURE	DATE	Units	mm	Sheet	Drawing NO.	Material	REV
0~≤20 ±0.15	DRAW			Size	A4	Sheet			
20~≤50 ±0.25	DESIGN			Scale		Sheet			
50~≤80 ±0.35	CHECK			Proj.		Sheet			
80~≤120 ±0.50	APPROVE			Proj.		Sheet			



PART NAME: HZW-H10B-ST-1PL

