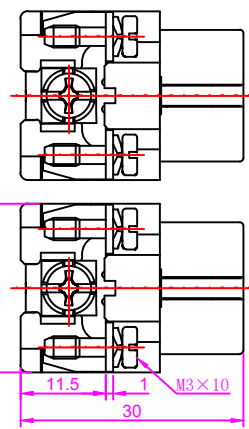
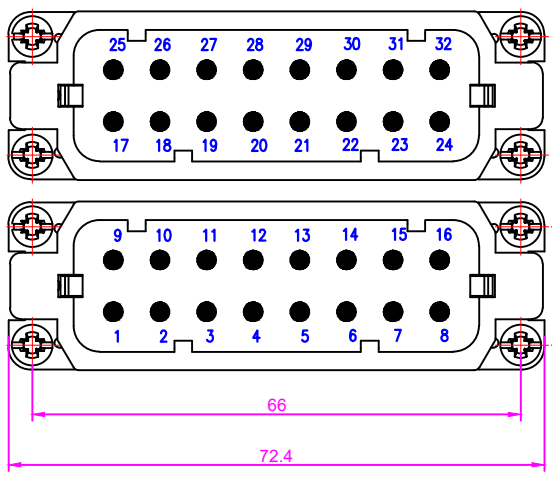


REVISION DATA				
SYM	ECN	DESCRIPTION	DATE	APPROVED

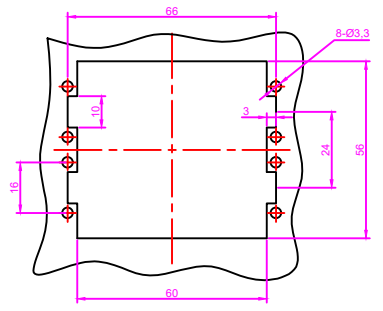
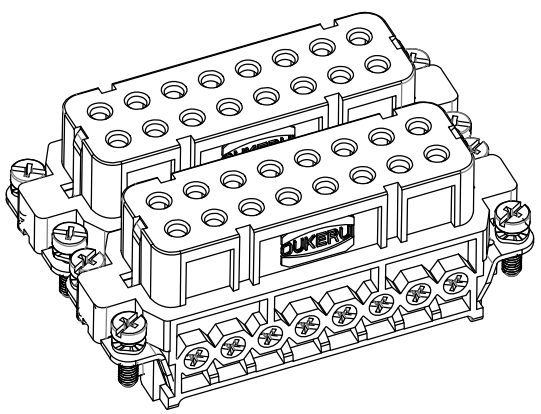


技术参数:  
 插芯:  
 插针数: 10+PE  
 额定电流: 16A  
 工作电压: 250V  
 额定脉冲电压: 4KV  
 污染等级: 3  
 依据UL/CSA的额定电压: 600V  
 绝缘阻抗:  $\geq 10^{10} \Omega$   
 材料: 聚碳酸酯  
 温度范围:  $-40^{\circ}\text{C} \sim +125^{\circ}\text{C}$   
 依据UL94的阻燃等级: V0  
 可插拔次数:  $\geq 500$


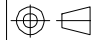
Specifications:  
 Inserts:  
 Number of contacts: 10+PE  
 Rated current: 16A  
 Rated voltage: 250V  
 Rated impulse voltage: 4KV  
 Pollution degree: 3  
 Rated voltage acc. to UL/CSA: 600V  
 Insulation resistance:  $\geq 10^{10} \Omega$   
 Material: Polycarbonate  
 Limiting temperatures:  $-40^{\circ}\text{C} \sim +125^{\circ}\text{C}$   
 Flammability acc. to (UL94): V0  
 Mechanical working life -mating cycles:  $\geq 500$

插针:  
 接线方式: 螺钉连接  
 材料: 铜合金  
 表面处理: 镀银  
 接触电阻:  $\leq 1\text{m}\Omega$   
 线径范围:  $1.0 \sim 2.5\text{mm}^2$  (AWG18-14)  
 拧紧力矩:  $0.5\text{N} \cdot \text{m}$

Contacts:  
 Terminal: screw terminal  
 Material: Brass  
 Surf: hard-silver plated  
 Contact resistance:  $\leq 1\text{m}\Omega$   
 Crimp terminal  
 Wire gauge—mm<sup>2</sup>:  $1.0 \sim 2.5\text{mm}^2$   
 Wire gauge—AWG: 18-14  
 Tightening/Test torque:  $0.5\text{N} \cdot \text{m}$



面板开孔图  
 Panel cut

Tolerance		SIGNATURE	DATE	Units	mm	 宁波欧科瑞连接器有限公司 NINGBO OKERUI CONNECTOR CO., LTD.	
0~ $\leq 20$	$\pm 0.15$	DRAW		Size	A4		
20~ $\leq 50$	$\pm 0.25$	DESIGN		Scale		PART NAME: HZW-HA-032-F	
50~ $\leq 80$	$\pm 0.35$	CHECK		Sheet		Drawing NO.	REV
80~ $\leq 120$	$\pm 0.50$	APPROVE		Proj.		Material	A